

SPAD 502DL Plus Quick Start Guide

Taking readings

1. The meter must be calibrated every time it is turned on. To calibrate the meter, clamp the measuring heads together with no sample in the meter. When calibration is complete, the meter will beep and display **N=0**.
2. To take a reading, insert a leaf in between the meter heads. Close the measuring heads onto the leaf and hold until the meter beeps. The reading will appear on the display. Measurements can be affected by which leaf is sampled as well as what part of the leaf is measured. It is best to standardize which leaves are selected for sampling. It is recommended that readings be taken ½ inch from the edge of the leaf.
3. If you get an erroneous reading it can be deleted by pressing the **1 DATA DELETE** button. This removes the last reading. Press the **DATA RECALL** button to scroll through the last 30 readings.

Identifying the correct Com Port

FieldScout software is used to communicate with the data logging SPAD meter. The software allows you download the meter as well as select GPS options for data collection. The software requires a serial port to communicate with the meter. If you do not have a serial port on your computer, you will need to purchase a USB-to-serial adapter. Spectrum Technologies Inc. offers an inexpensive adapter (item # 3661USB). Alternately, adapters from Belkin are compatible with Spectrum products.

Before contacting the meter, you must identify the Com Port associated with the serial port. This procedure is outlined in the SPAD 502 Plus Datalogger Manual (p. 4-5). The grey serial cable must be connected to the PC but disconnected from the meter. Note that this is a 2-part test. An erroneous "Connection OK" message can appear if you have selected the Com Port associated with your computer's internal modem.

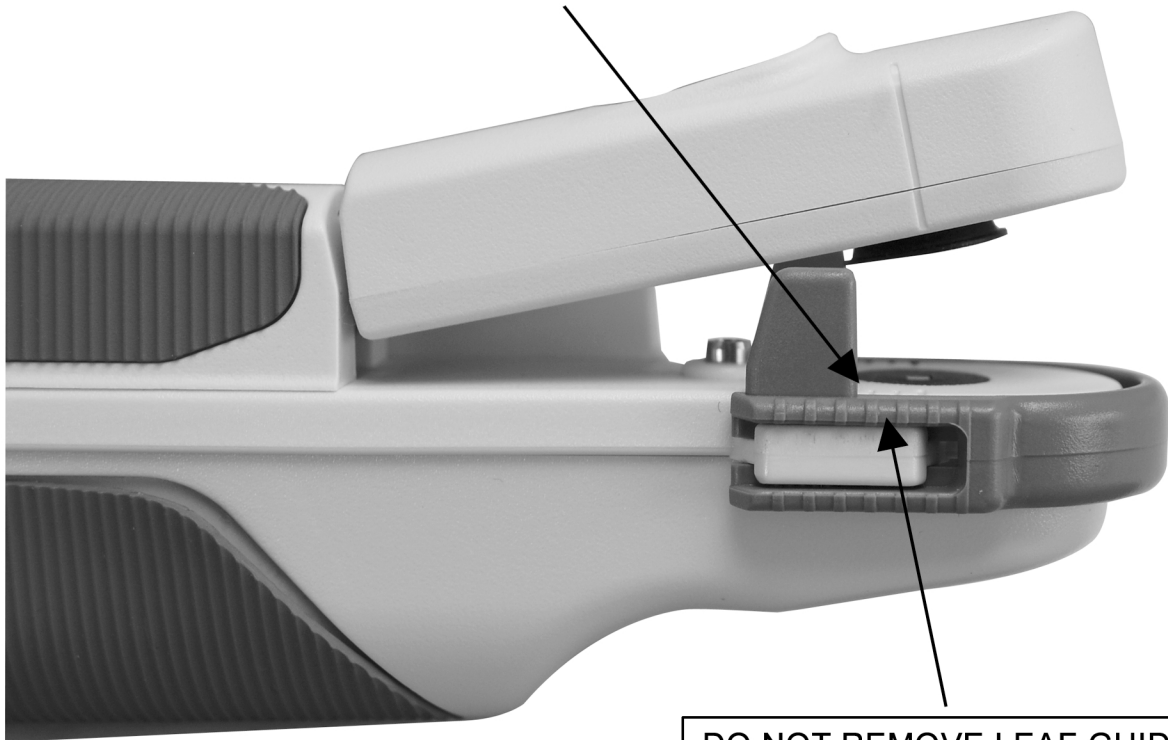
Downloading data

1. Connect the grey cable to the computer and into the meter.
2. Turn the meter on. For 10 seconds, the meter will be in **Communication** mode and the green LED will be blinking. Press the **Down Load** button. If the meter is contacted while in **Communication** mode, it will remain in that mode until the meter is turned off. If the meter is not contacted within 10 seconds, it will transition to **Measurement** mode (indicated by a steadily glowing LED). Turn the meter on and off to return to **Communication** mode.
3. After the meter has been completely downloaded, the software will prompt you to save the file. Name the file and select the location where it is to be saved (the default location is the FieldScout directory). The software will then give you the option of clearing the internal data logger. Select the appropriate response. When the download is complete, the meter can be disconnected from the cable.

IMPORTANT SENSOR MAINTENANCE – SEE BACKSIDE

CAUTION!

DAMAGE TO METER MAY OCCUR WHEN
LEAF IS INSERTED PAST THIS POINT!



DO NOT REMOVE LEAF GUIDE!